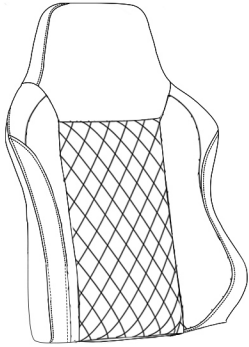


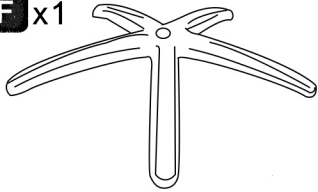
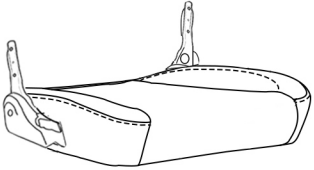

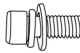
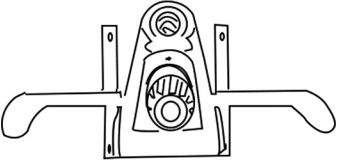




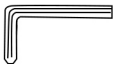
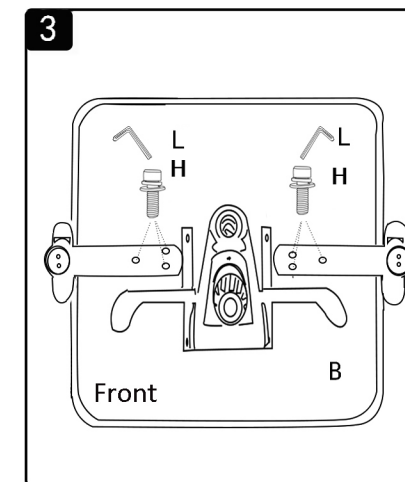
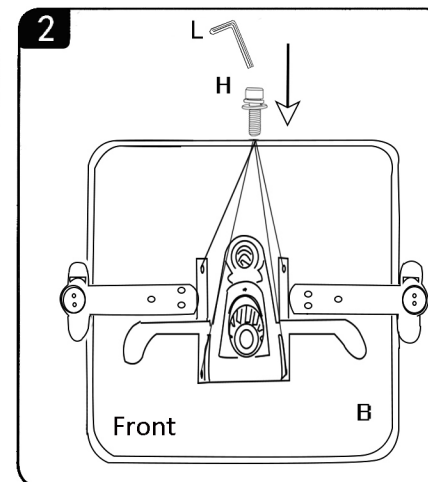
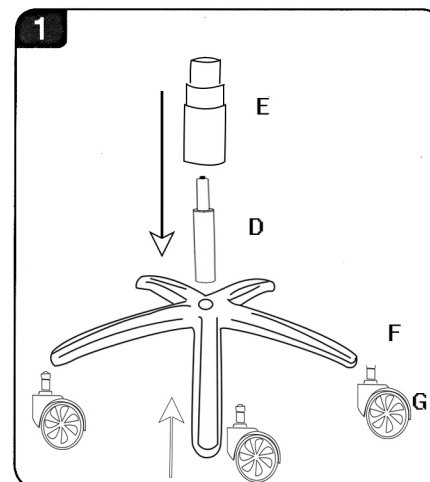


<b>A</b> x1 	<b>D</b> x1 
	<b>E</b> x1 
	<b>F</b> x1 
<b>B</b> x1 	<b>G</b> x5 
	<b>H</b> x10  M8X20 mm
<b>C</b> x1 	<b>I</b> x4  M8X25 mm
	<b>J</b> x2 
	<b>K</b> x2  M5X8 mm
<b>O</b> x4 	<b>L</b> 



### Cleaning:

→ If there are stains on the surfaces of the chair, apply some polish on a soft towel and rub the stains until they dissolve.

**Note:** Do not apply the polish directly on the chair.

